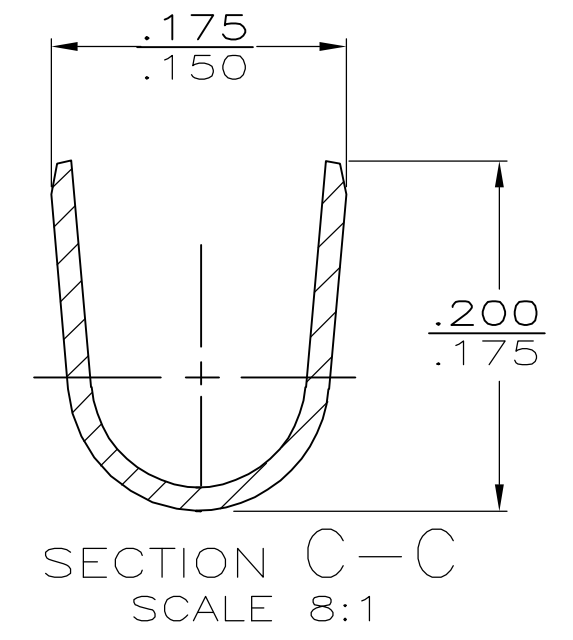
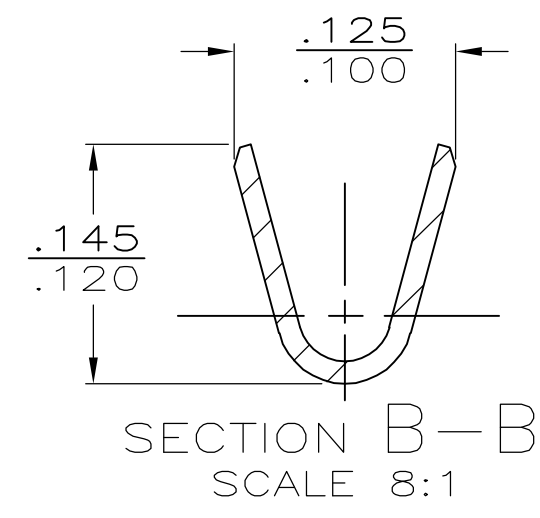
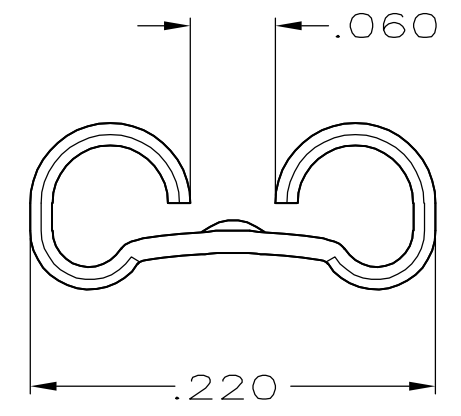
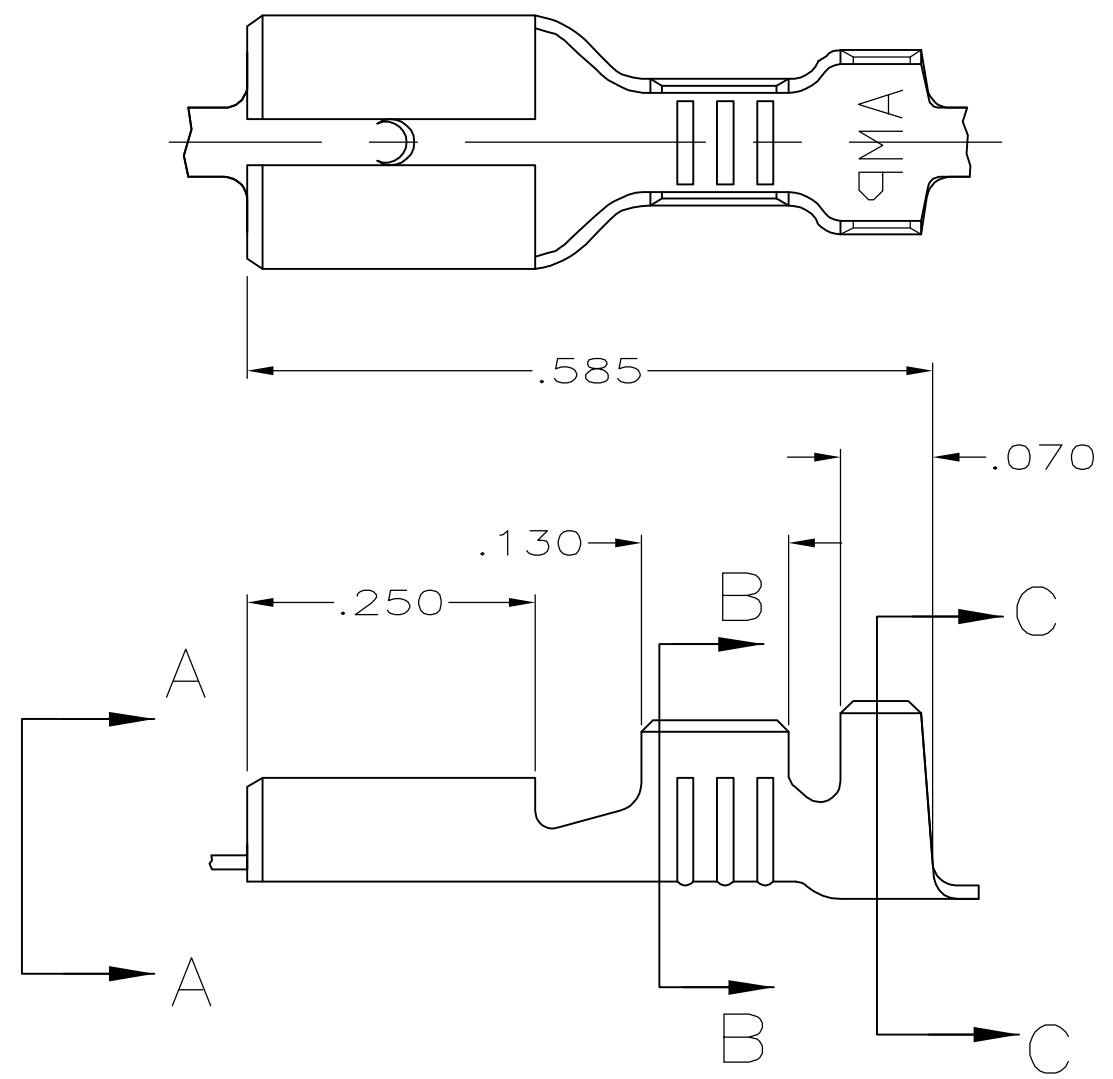


THIS DRAWING IS UNPUBLISHED. RELEASED FOR PUBLICATION  
 © COPYRIGHT BY TYCO ELECTRONICS CORPORATION. ALL RIGHTS RESERVED.

LOC	DIST	REVISIONS			
P	LTR	DESCRIPTION	DATE	DWN	APVD
AF	50	W	REV PER ECR 06-018605	24OCT06	JR PD

- CONTINUOUS STRIP ON REELS
- MATING TAB THK IS  $.020 \pm .001$
- WIRE SIZE IS #20-#16 AWG
- INSULATION RANGE IS  $.090-.130$  DIA



TIN	#4H BRASS	60214-2
-	#4H BRASS	60214-1
FINISH	MATERIAL	PART NO.

THIS DRAWING IS A CONTROLLED DOCUMENT.		DWN	JR RUTH	10/27/89	Tyco Electronics Corporation Harrisburg, PA 17105-3608
DIMENSIONS: INCHES		CHK	MS FEHER	10/27/89	
		APVD	C MEYERS	10/27/89	
TOLERANCES UNLESS OTHERWISE SPECIFIED:		PRODUCT SPEC		NAME	
0 PLC ± - 1 PLC ± - 2 PLC ± - 3 PLC ± .015 4 PLC ± - ANGLES ± -		APPLICATION SPEC		RECEPTACLE, FASTON, .187 SERIES	
MATERIAL	SEE TABLE	FINISH	SEE TABLE	WEIGHT	-
CUSTOMER DRAWING		SIZE	A3	CAGE CODE	00779
		DRAWING NO	C=60214		RESTRICTED TO
		SCALE	6:1	SHEET	1 OF 1
		REV	W		